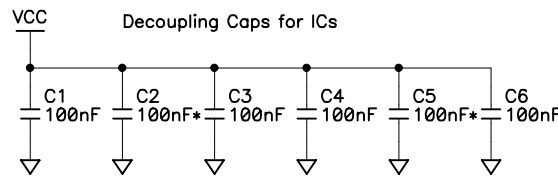
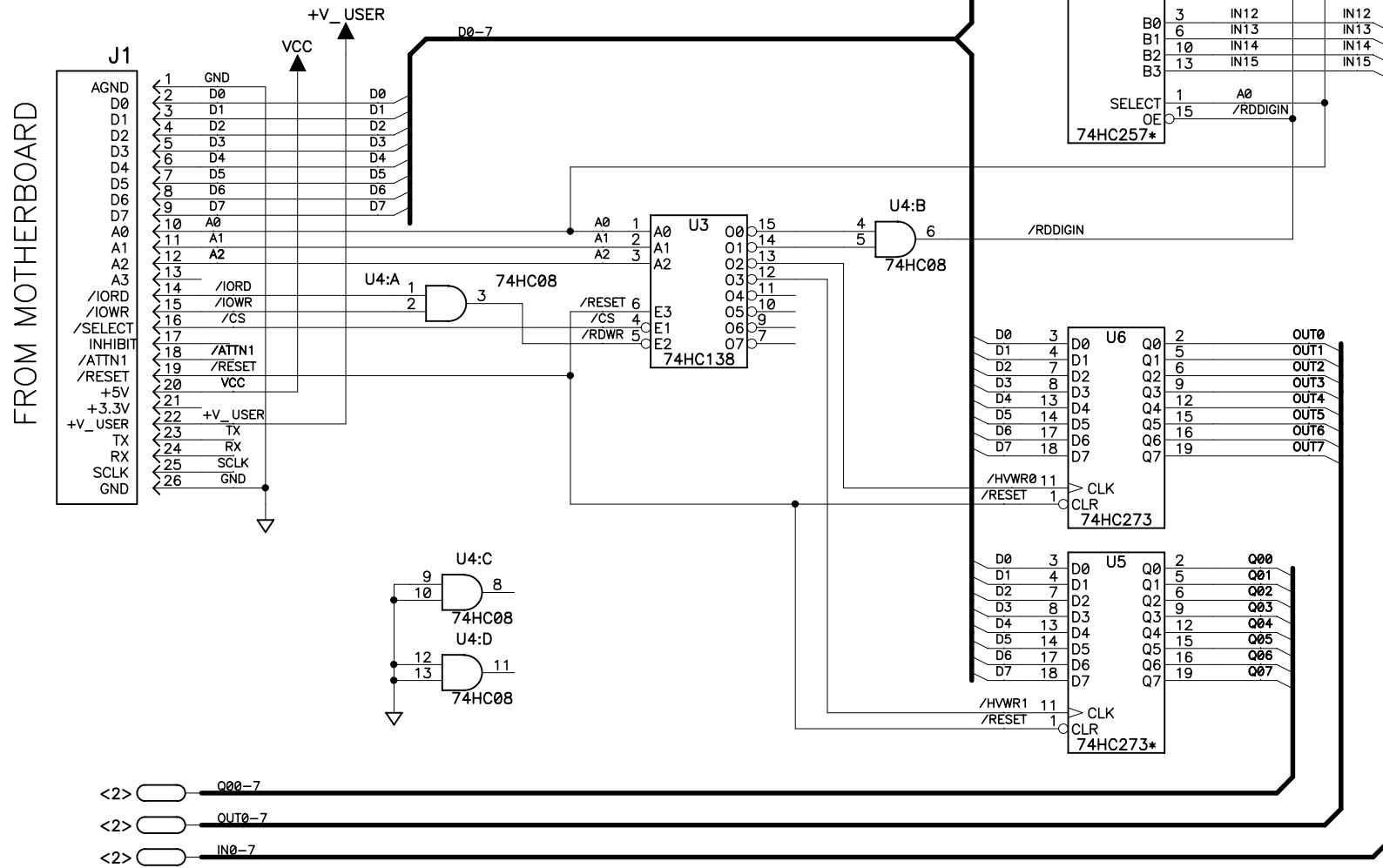


NOTES: UNLESS OTHERWISE SPECIFIED;

1. ALL RESISTOR VALUES ARE IN OHMS, 1/10W, 5%
2. ALL CAPACITORS ARE 50VDC OR HIGHER.
3. THE ORIGINATION SOURCE OF A VOLTAGE IS REPRESENTED BY (VCC), AND ALL REFERENCES TO THAT VOLTAGE ARE REPRESENTED BY (VCC).

4. OUTLINED CIRCUIT MAY NOT BE STUFFED DEPENDING ON MODEL, SEE STUFFING CHART FOR CLARIFICATION.

5. COMPONENT VALUES SHOWN WITH AN ASTERISK (*) FOLLOWING THE VALUE, MAY HAVE DIFFERENT VALUES, OR MAY NOT BE STUFFED DEPENDING ON MODEL. SEE STUFFING CHART FOR CLARIFICATION.



REVISION HISTORY			REVISION APPROVAL			
REV	ECO	DESCRIPTION	PROJECT ENGINEER	APPROVAL DATE	DOCUMENT CONTROL	APPROVAL DATE
A	E11217	INITIAL RELEASE, TRACKS A/W @ REV-A	DM	1/20/00	KIS	11/17/01
B	E11564	CHANGED PE7 TO OUTPUT INHIBIT	DM	28JUN01	KIS	7/17/01

TABLE A

REF DES	DEVICE	DEVICE VOLTAGE INFORMATION					DEVICE: FILTER CAP REF DES(s)
		AGND	GND	VCC	-5V	NO CONNECTS	
U1	74HC257		8	16			C1
U2	74HC257		8	16			C2
U3	74HC138		8	16			C3
U4	74HC08		7	14			C4
U5	74HC273		10	20			C5
U6	74HC273		10	20			C6

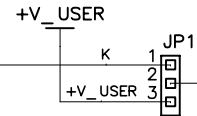
STUFFING TABLE

CIRCUIT	PART	MODEL			
		16 INPUT 8 OUTPUT	8 INPUT 16 OUTPUT	8 INPUT 8 OUTPUT	
FPWR SELECT	JP1	ZERO ohm ACROSS PINS 2-3	ZERO ohm ACROSS PINS 2-3	ZERO ohm ACROSS PINS 2-3	
INPUT LEVEL SELECT	JP2	ZERO ohm ACROSS PINS 1-2	ZERO ohm ACROSS PINS 1-2	ZERO ohm ACROSS PINS 1-2	
HIGH VOLTAGE SINKING DRIVERS	CURRENT DRIVER	R36-43 C28-35 D28-35 Q28-35	NOT INSTALLED	INSTALLED	NOT INSTALLED
	DRIVER CHIP	U5 C5	NOT INSTALLED	INSTALLED	NOT INSTALLED
DIGITAL INPUTS	INPUT CONDITIONING	R60-67 C44-51	INSTALLED	NOT INSTALLED	NOT INSTALLED
	DRIVER CHIP	U2 C2	INSTALLED	NOT INSTALLED	NOT INSTALLED
DIGITAL I/O LEVEL	JP3 1-2 R68-75	INSTALLED	NOT INSTALLED	NOT INSTALLED	
DIGITAL OUTPUT LEVEL	R28-35	NOT INSTALLED	NOT INSTALLED	NOT INSTALLED	

APPEND THE FOLLOWING DOCUMENTS WHEN CHANGING THIS DOCUMENT:	DRAWING CONTENT:		TITLE	Z-WORLD
	DRAWN BY: (INITIAL RELEASE)	DATE		
	RM	29JUL99	SCHEMATIC DIAGRAM SR9200 SERIES DIGITAL I/O BOARD	2900 SPAFFORD ST. DAVIS, CA 95616 530 - 757 - 4616
	REVISOR BY: DM	26JUN01		
	APPROVALS: INITIAL RELEASE		SIZE B	DWG NO. 090-0101
	PROJECT ENGINEER: Darren Musgrove	7/20/01		
	ENGINEERING MANAGER: R. Matthews	7/20/01		
	SIGNATURES	DATE	SCALE NONE	RELEASE DATE
			SHEET 1 OF 2	

OUT0-7
Q00-7
IN0-7

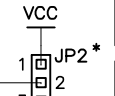
Install a 0 Ohm Resistor on JP1:1-2 for K (Customer provides Power Source)
JP1:2-3 for +V_USER (Power from Z-Bus)



BANK 0
DIGITAL INPUTS

BANK 2
FACTORY CONFIGURABLE
DIGITAL INPUTS

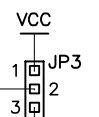
Install 0 Ohm Resistor on JP2:1-2 for Pull-Ups
JP2:2-3 for Pull-Downs



BANK 2
FACTORY CONFIGURABLE
HIGH VOLTAGE SINKING DRIVERS

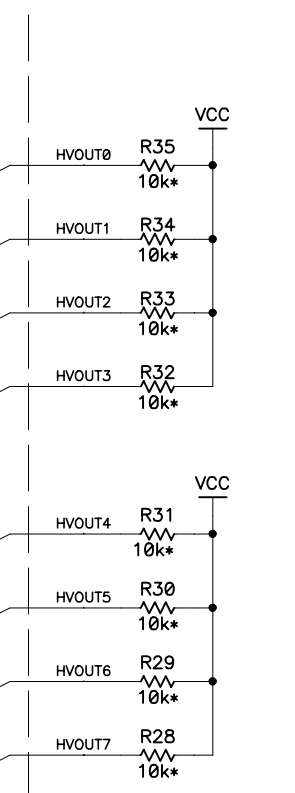
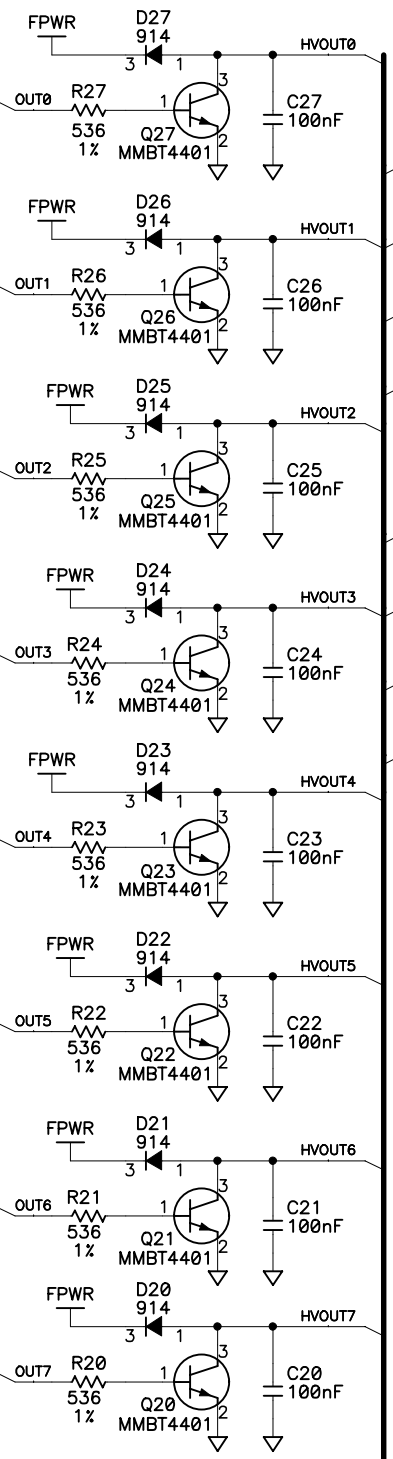
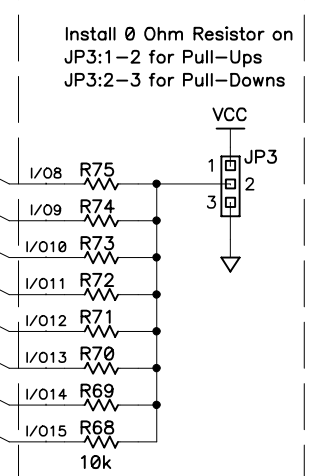
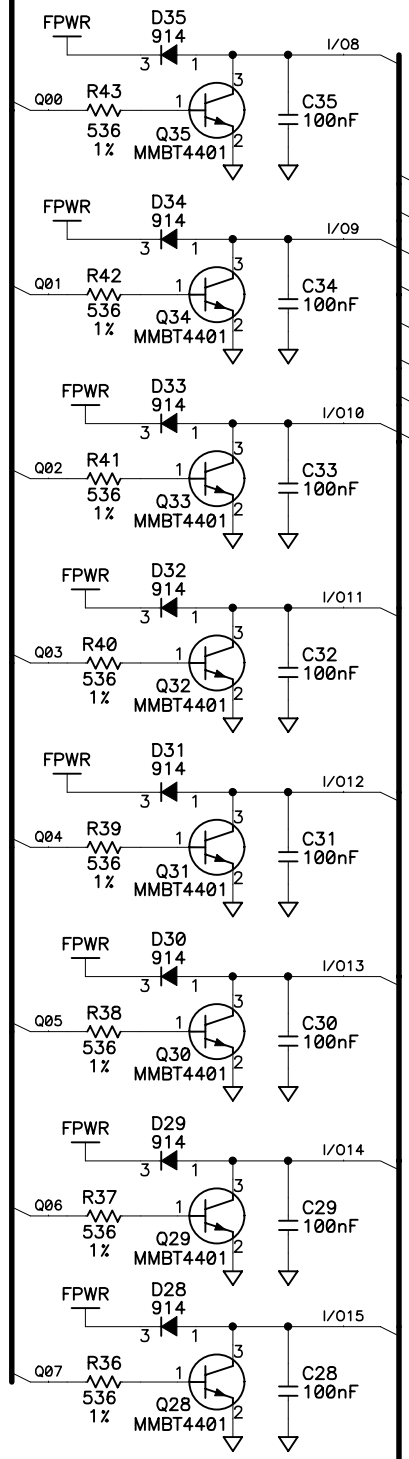
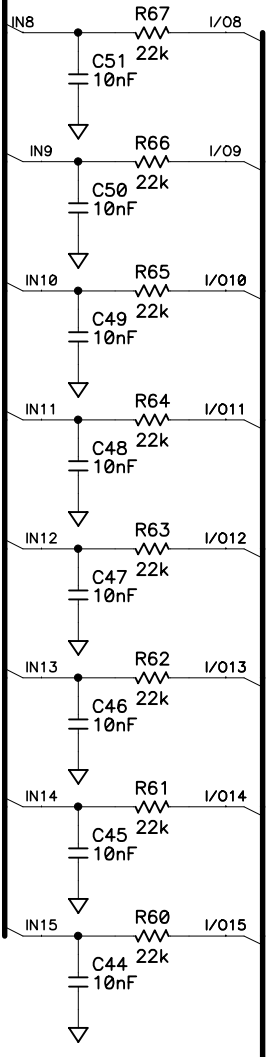
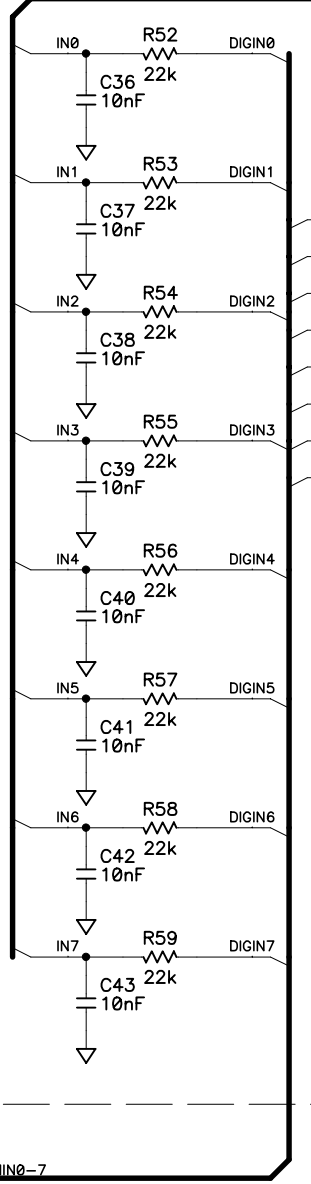
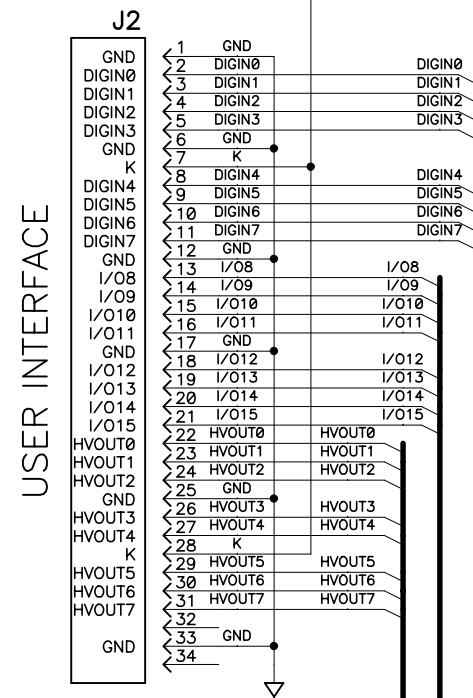
DIGITAL I/O
LEVEL

Install 0 Ohm Resistor on JP3:1-2 for Pull-Ups
JP3:2-3 for Pull-Downs



BANK 1
HIGH VOLTAGE SINKING DRIVERS

DIGITAL OUTPUT
LEVELS



DIGIN0-7
I/O8-15
HVOUT0-7

26JUN01

SIZE B	DWG NO. 090-0101
SCALE NONE	REV LTR B
SHEET 2	OF 2

COPYRIGHT 2001, Z-WORLD, INC.